



WISCONSIN MOTORS

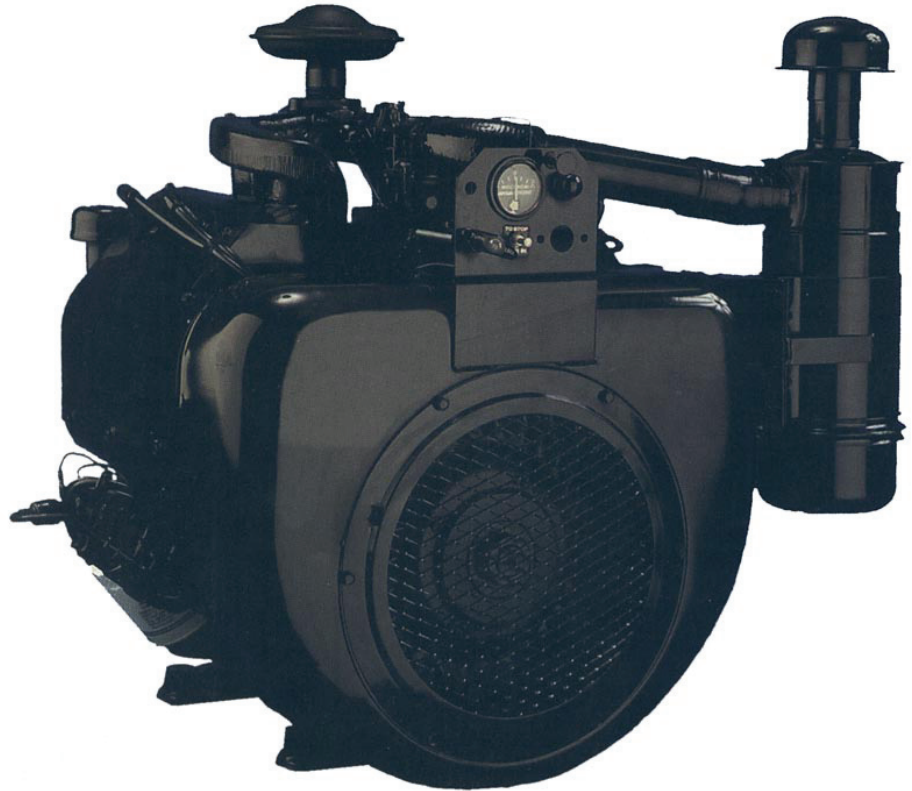
Your Heavy-Duty Power Source

ADVANTAGE

- Four cylinder
- Air cooled
- V-block configuration
- Forged-steel crankshaft with tapered roller main bearings
- Cast iron cylinders
- Forged steel connecting rods
- Aluminum alloy pistons
- Heat resistant alloy steel exhaust valves
- Exhaust valve rotators
- Replaceable valve guides
- Replaceable valve seat inserts

Wisconsin **W4-1770**

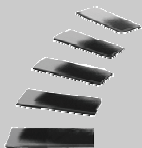
35 HP Gasoline



Your Heavy-Duty Power Source

WORLDWIDE PARTS AND SERVICE

We back our engines with a worldwide service network. Experienced Wisconsin representatives are always ready to meet your needs



Leading the way in
Industrial engine
Innovation

Industrial by Design

EPA and CARB certified engines



WISCONSIN MOTORS

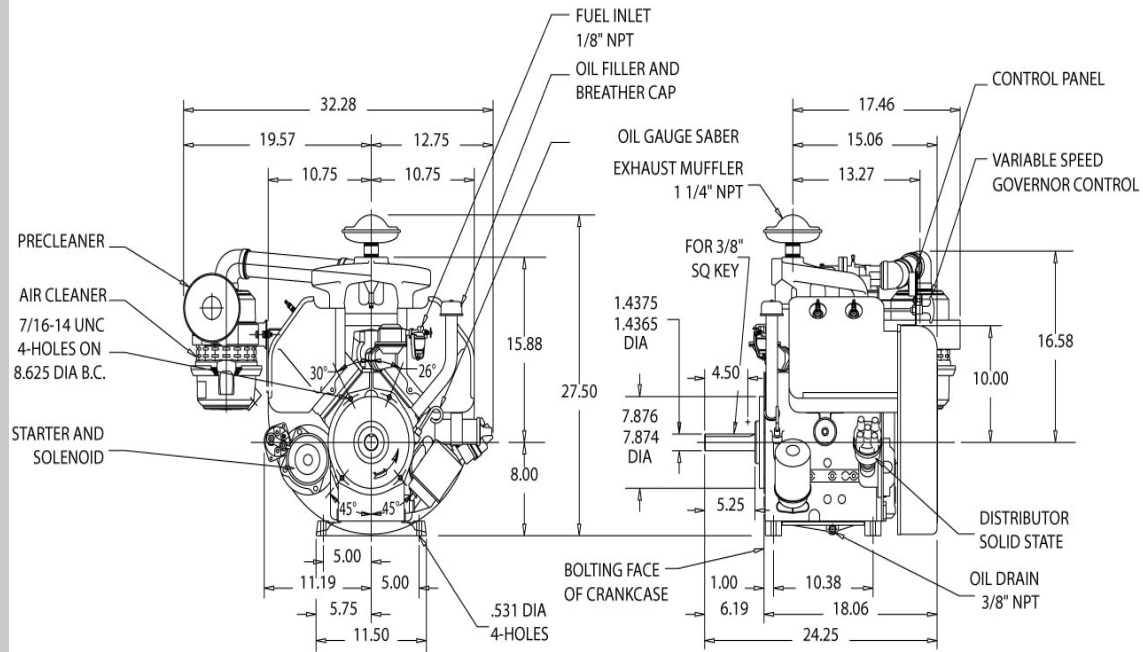
Your Heavy-Duty Power Source

Wisconsin W4-1770

Performance Specifications

Standard Features

- Four cylinder
- 37 horsepower gasoline
- Air-cooled
- Heavy-duty cast iron block
- Forged-steel crankshaft with tapered roller main bearings
- V-block configuration
- Cast iron cylinders
- Forged steel connecting rods
- Aluminum alloy pistons
- Forged steel connecting rods
- Heat resistant alloy steel exhaust valves
- Replaceable valve guides & seat inserts
- Instrument panel
- Exhaust valve rotators
- Centrifugal flyweight governor
- Solid state ignition with side mounted or top mounted distributor



35.0 HP Gasoline

Bore — 3.25 in. (82.5 mm)
 Stroke — 3.25 in. (82.5mm)
 Displacement—107.7 cu. in. (1765 cc)

POWER OUTPUT

Maximum dynamometer gross brake horsepower of the basic engine corrected to a pressure reading of 29.3 in. Hg (99 kPa) dry barometer and temperature of 77°F(25°C) when tested in accordance with SAE Test Code J1995 (June 95). Engine output can be demonstrated within 5% at the factory under standard rating conditions. Power will decrease 3% for each 1,000 ft.(305 m) above 500 feet (152.4 m) and 1% for each 10°F(12.2°C) above standard temperature of 77°F (25°C). For continuous operation, applications should be limited to 80% of power shown.

Power Output : Gasoline				
RPM	HP	KW	Torque	
			Ft.lbs	Kg-M
1600	21.3	15.9	69.9	9.7
1800	24.2	18.1	70.6	9.8
2000	27.1	20.0	71.2	9.8
2200	29.6	22.1	70.7	9.8
2400	32.0	23.9	70.0	9.7
2600	33.6	25.7	67.9	9.4
2800	24.6	25.8	64.9	9.0
3000	35.0	26.1	61.3	8.5

Wisconsin Motors, LLC
 2021 MacArthur Road
 Waukesha, WI 53188
 1-800-932-2858

www.wisconsinmotors.com